

138-LRSS

Live Roller Straight Spur Conveyor

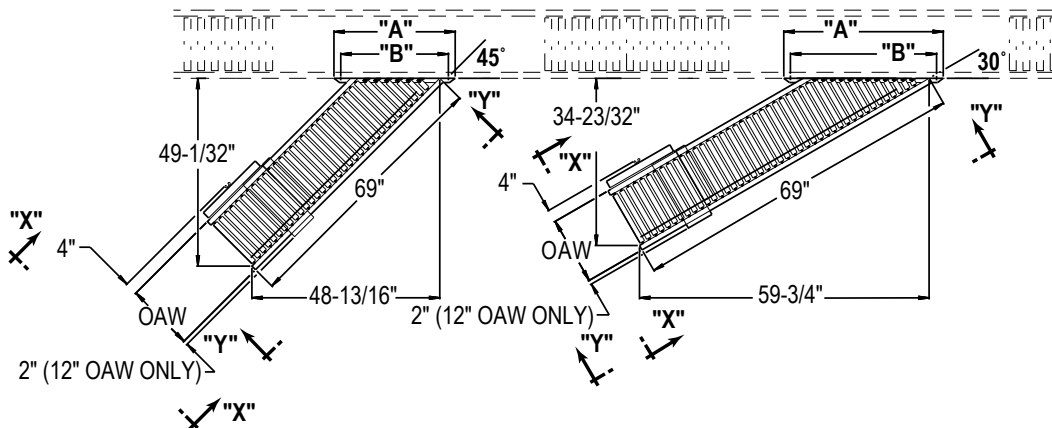
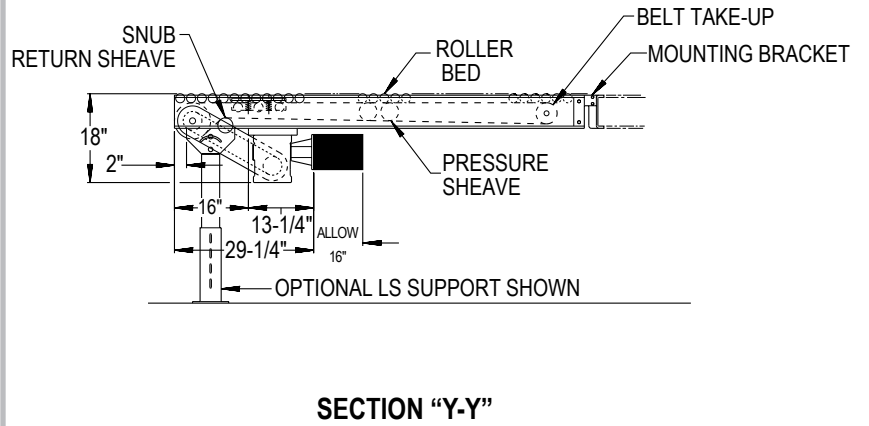
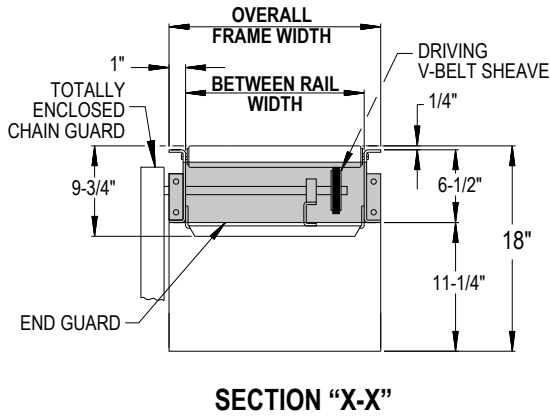
The Model 138-LRSS Live Roller Straight Spur is used in diverging or converging applications. It may be self-powered or can be slave driven from 138-ACC, LRC, or LRS conveyors.

- 4 Bed Widths
- Reversible
- Right or Left Hand Units Available
- Adjustable LS-Type Floor Supports Available



Between Rail Width	Overall Frame Width	"A"		"B"		WEIGHTS (Lbs.)	
		45°	30°	45°	30°	45°	30°
10"	12"	23"	32"	21"	30"	162	187
13"	15"	26"	38"	24"	36"	167	193
16"	18"	32"	44"	30"	42"	172	200
22"	24"	41"	56"	39"	54"	177	206

All weights in catalog are conveyor weights only. Accessories, crating, etc., are not included.



• STANDARD SPECIFICATIONS

BED—Roller bed with 1 3/8 in. dia. roller x 18 ga. galvanized tube 5/8 in. HRS hex shafts spaced every 1 1/2 in. Mounted in 6 1/2 in. x 12 ga. powder painted steel frame.

END DRIVE—Mounted underneath bed section.

DRIVE BELT—Endless B-section aramid core V-Belt drives each section of conveyor.

PRESSURE SHEAVES—2 1/2 in. dia. with 3/8 in. bore.

SNUB RETURN SHEAVE—3 1/4 in. dia. x 1/2 in. bore flat idler has seven position adjustment.

TAKE-UP—Take-up provided to maintain proper V-belt tension. Includes 4 3/8 in. dia. x 3/8 in. bore V type take-up sheave.

BEARINGS—Tread rollers have pre-lubricated, self aligning ball bearings. Flange and pillow block bearings are sealed, pre-lubricated with eccentric lock collar.

MOUNTING BRACKET—Bracket is supplied to attach spur to side channels of 138-ACC conveyor.

BUTT COUPLINGS—Standard for connecting 138-ACC and 138-LRC.

SPEED REDUCTION—Sealed worm gear C-Face speed reducer. No. 50 roller chain to drive sheave.

MOTOR—1/2 HP—208/230/460/575V—3 PH. 60 Hz Totally Enclosed.

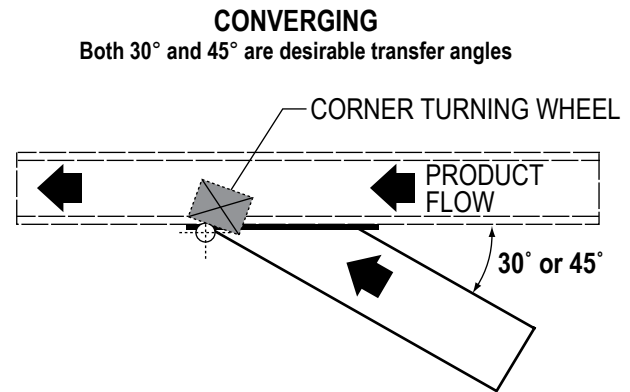
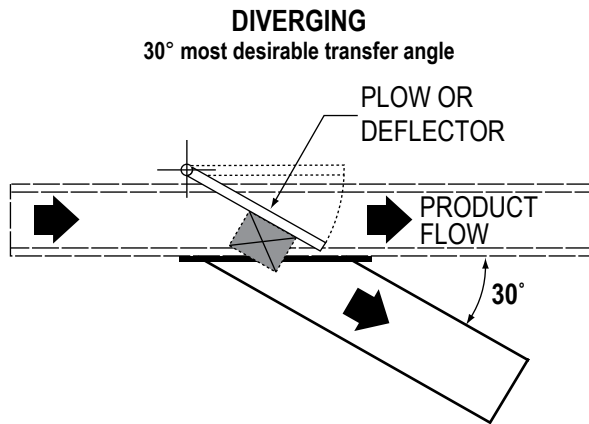
CONVEYING SPEED—Constant 65 FPM.

CAPACITY—150 lbs. total distributed live load.

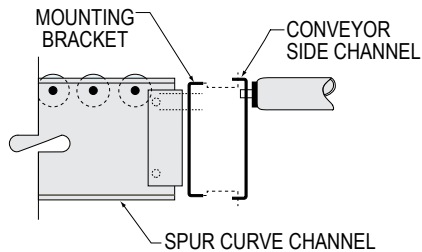
FLOOR SUPPORTS—Now supplied as optional equipment.

• SPUR APPLICATIONS

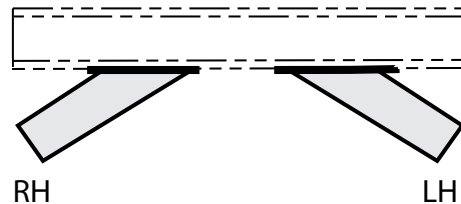
Live Roller Spurs are used to transfer cartons, etc., onto and off of main conveyor lines. The illustrations below shows the correct usage of Plows and Turning Wheels with Spurs in Diverging and Converging applications.



MOUNTING BRACKET
The 138-LRSS is equipped with mounting brackets to attach unit to side channel of 138-ACC.



SPUR FLOW (Specify)



• OPTIONAL EQUIPMENT

FLOOR SUPPORTS—LS Type floor supports are available with a wide range of adjustment. Specify top of belt or roller elevation. One support required at every bed joint and ends of conveyor. Holes in feet for lagging to floor. Knee braces recommended above LS-6 support.

BED LENGTHS—57 in. and 63 in. Drive not available on all lengths and widths. Contact factory.

CONVEYING SPEED—Other constant and variable speeds from 25 to 120 FPM. **NOTE:** Capacity affected with speed change.

SIDE MOUNTED DRIVE—Motor reducer unit mounted to side of conveyor. Minimum elevation with standard sheave retainer 11 1/8 in.

O-RING DRIVE CHAIN—With sealed in lubricant (Recommended for applications that do not permit regular lubrication).

GUARD RAILS—Adjustable Universal Channel Guard Rail, fixed channel, type A & B angle. (See Accessory section.) **NOTE:** If product comes in contact with guard rails, product flow will be affected.

POLY-TIER SUPPORTS—36 in. to 120 in. support heights in 6 in. increments. Knee braces supplied.

CEILING HANGERS—5/8 in. dia. x 8 ft. long unplated rods fully threaded. Other lengths and galvanized rods available.

SLAVE DRIVEN—Standard drive may be omitted and spur slave driven from 138-ACC. (Specify by sketch, location of slave connection). Minimum elevation 10 1/2 in.

MOTORS—Energy efficient, single phase, brakemotor, other characteristics. 1/2 HP maximum.

ELECTRICAL CONTROLS—Non-reversing or reversible magnetic starters and push-button stations. AC variable frequency drive.