

# PSBC

## Plastic Belt Conveyor

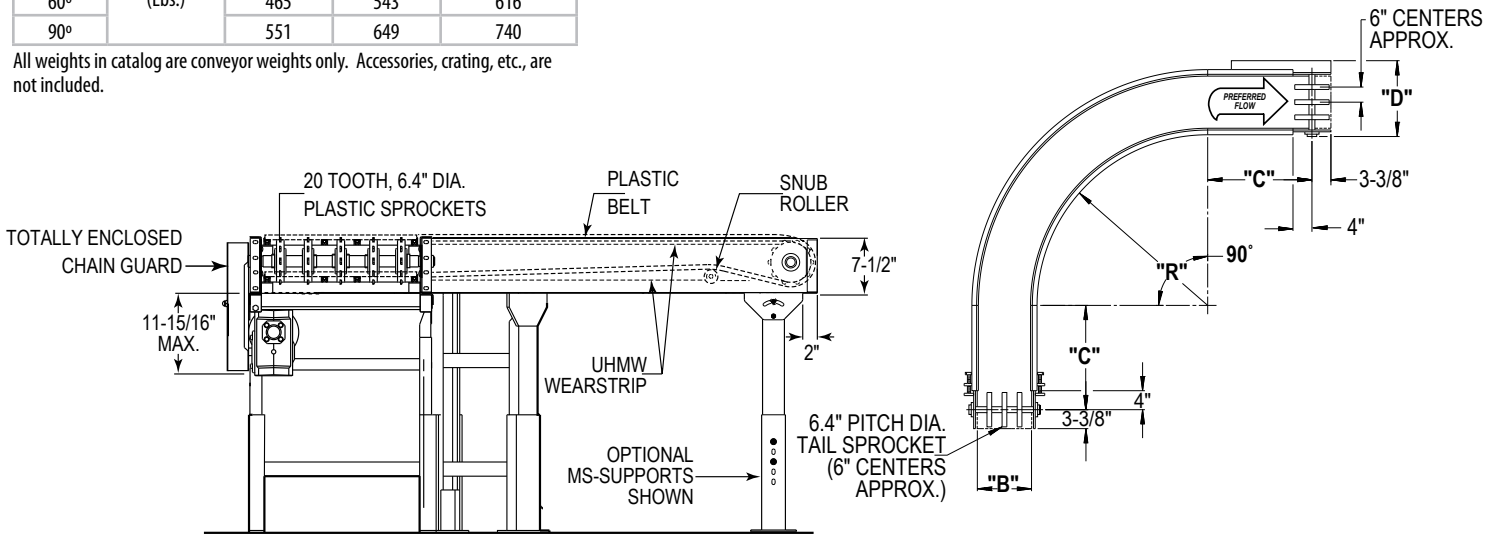
The Model PSBC with modular plastic belting uses a positive drive system to eliminate belt slippage and mistracking.

- 3 Belt Widths
- Polypropylene 1" Pitch Plastic Belt
- Adjustable MS-Type Floor Supports Available

Curve Angle	Belt Width	12"	18"	24"
	Between Rail Width	13"	19"	25"
	Overall Frame Width	16"	22"	28"
30°	Weights (Lbs.)	279	317	354
45°		366	424	479
60°		465	543	616
90°		551	649	740

All weights in catalog are conveyor weights only. Accessories, crating, etc., are not included.

Belt Width	Bed Width	"B" Actual Conveying Surface	"C"	"D"	"R"
12"	16"	11"	18"	16"	27"
18"	22"	17"	27"	22"	40"
24"	28"	23"	36"	28"	53"



## • STANDARD SPECIFICATIONS

**END DRIVE**—Located on discharge end of conveyor. Chain guard located on left hand side.

**BELT**—Polypropylene 1 in. pitch Flush Grid Radius Belt, nominal 1 in. less than BR.

**BED**—UHMW on aluminum slider bars, mounted to frame spacers. Mounted in 7 1/2 in. x 12 ga. powder painted, formed steel channel frame bolted together with butt couplings.

**DRIVE AND TAIL SPROCKETS**—20 tooth 6.4 in. pitch dia. molded plastic sprockets on 1 1/2 in. sq. shaft, 1 3/8 in. dia. shaft at bearings.

**SNUB ROLLERS**—Located at drive and tail ends.

**RETURN BARS**—UHMW on aluminum.

## • OPTIONAL EQUIPMENT

**FLOOR SUPPORTS**—MS Type floor supports are available with a wide range of adjustment. Specify top of belt or roller elevation. One support required at every bed joint and ends of conveyor. Holes in feet for lagging to floor. Knee braces recommended above MS-6 support.

**BED**—Stainless steel in lieu of powder painted HRS (Excluding Aluminum Support Bars).

**BELT**—Other belts available, contact factory.

**BELT SPEED**—Other constant and variable speeds. V-belt drive supplied on speeds under 15 FPM and with variable speeds. **Note:** Capacity affected with speed change.

**BEARINGS**—Sealed, pre-lubricated, self-aligning ball bearings on drive and tail shafts.

**SPEED REDUCTION**—Sealed worm gear C-Face speed reducer. No. 50 roller chain to drive sprocket.

**MOTOR**—1/2 HP—208/230/460/575V—3 Ph. 60 Hz. Totally Enclosed C-Face.

**BELT SPEED**—Constant 65 FPM.

**CAPACITY**—300 lbs. distributed live load.

**V-BELT DRIVE**—V-belt supplied between motor and reducer. Allow 65 in.

**CEILING HANGARS**—3/8 in. dia. x 8 ft. long unplated rods fully threaded. Other lengths and galvanized rods available.

**MOTORS**—Energy efficient, single phase, braked motor, other characteristics. 2 HP maximum.

**ELECTRICAL CONTROLS**—Non-reversing magnetic starters and push-button stations. AC variable frequency drive.